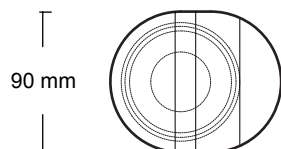
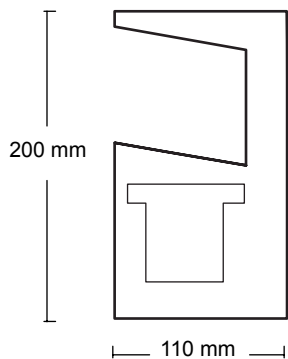


Cast Concrete Elements



LIGHTING



REF

LED MODULE IP65
11 x 9 CM
H: 20 CM

1.5 KG

design by Valentino Marengo
2017

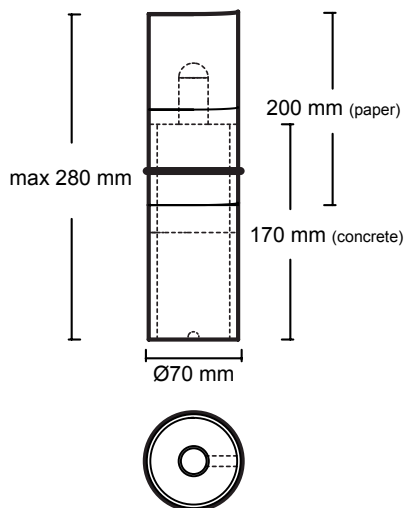


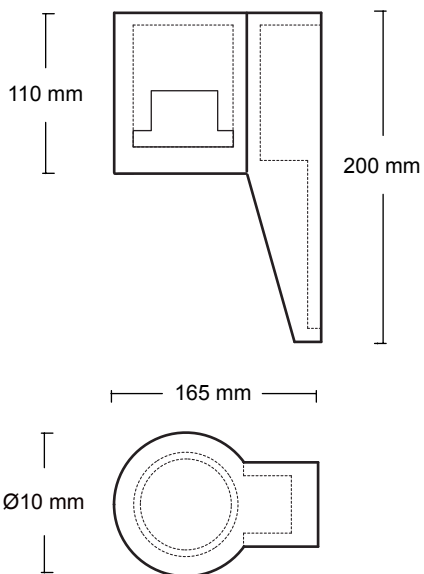
PAPEL

D: 7 CM
H: 28 CM

⚖ 1 KG

design by Valentino Marengo
2017





PROJECTA

LED MODULE IP65

16.5 x 11 CM

H: 20 CM

2.5 KG

design by Valentino Marengo

2017



DESMI

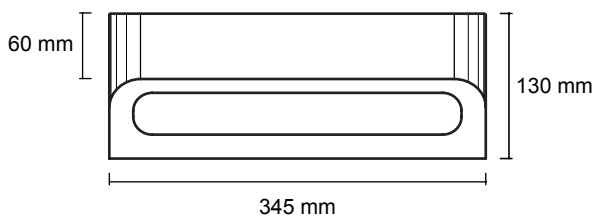
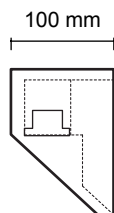
LED MODULE IP65

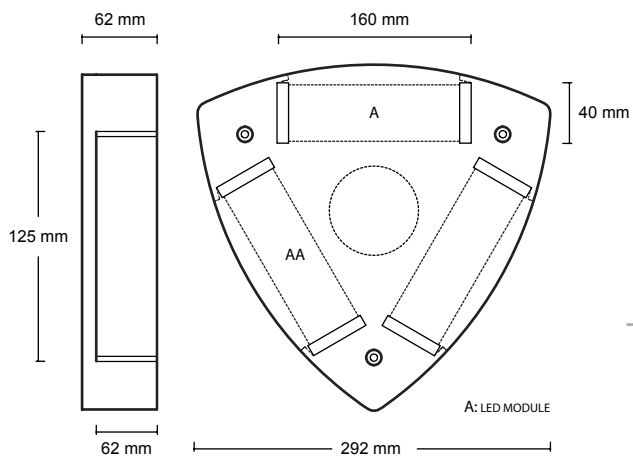
34.5 x 10 CM

H: 13 CM

⚖ 3KG

design by Valentino Marengo
2017





DIATOMO

LED MODULE IP65

29.2 x 6.2 CM

⚖ 4 KG

design by Valentino Marengo
2017

“FUNKY” series



“FUNKY” series



ARETHA C

PENDANT LAMP

27 x 21 CM

DEPTH: 5.5CM

⚖ 1.5 KG

design by Urbi et Orbi
2016

ARETHA T

TABLE LAMP

27.5 x 18 CM

DEPTH: 5.5M

⚖ 1.3 KG

design by Urbi et Orbi
2016



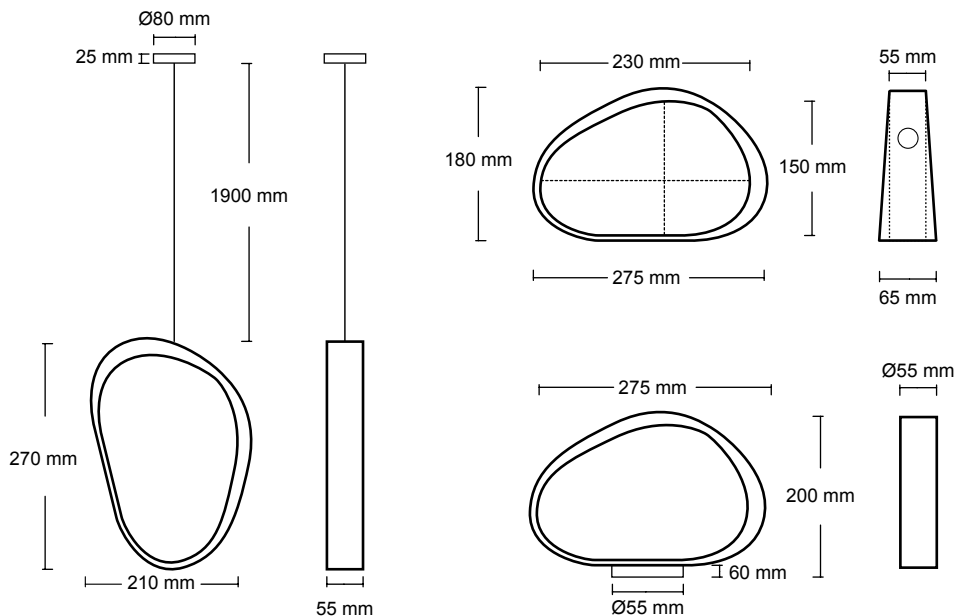


ARETHA W

WALL LAMP
27.5 x 20 CM
DEPTH: 5.5CM

⚠ 1.3 KG

design by Urbi et Orbi
2016



“FUNKY” series



GHETTO C

PENDANT LAMP

D: 19 CM

DEPTH: 5CM

⚖ 1 KG

design by Urbi et Orbi
2016

GHETTO T

TABLE LAMP

D: 19 CM

H: 39 CM

DEPTH: 5CM

⚖ 3 KG

design by Urbi et Orbi
2016





GHETTO W

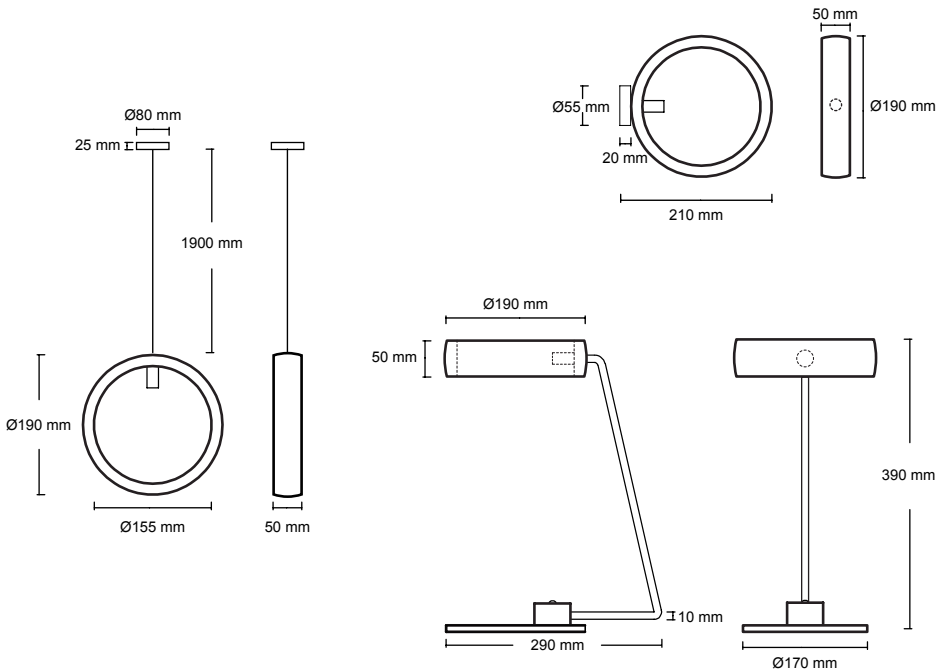
WALL LAMP

D: 19 CM

DEPTH: 5CM

⚖ 1 KG

design by Urbi et Orbi
2016



“FUNKY” series



SUPERFLY C

PENDANT LAMP

D: 17 CM

⚖ 1.6 KG

design by Urbi et Orbi
2016

SUPERFLY T

TABLE LAMP

D: 15 CM

⚖ 1.5 KG

design by Urbi et Orbi
2016





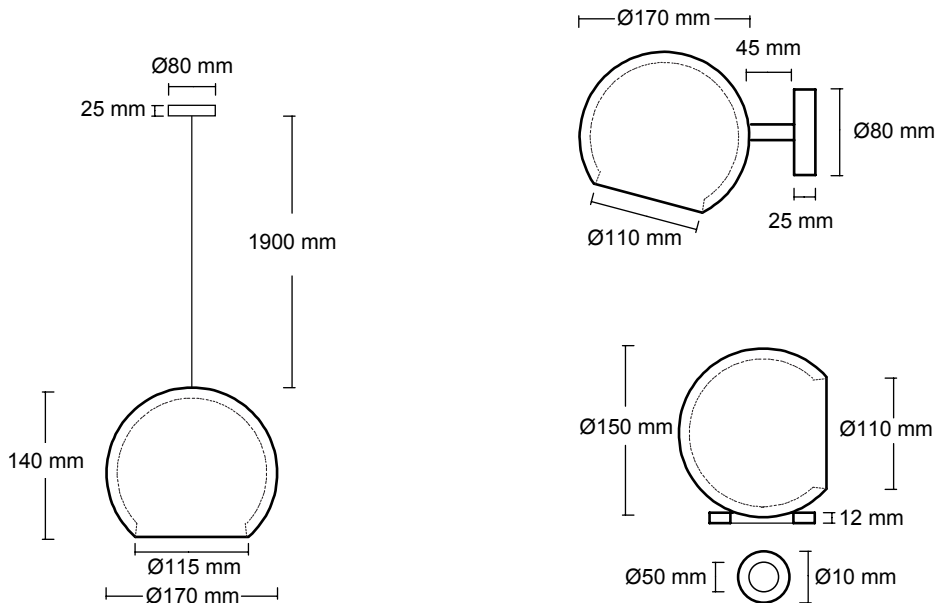
SUPERFLY W

WALL LAMP

D: 17 CM

⚖ 1.5 KG

design by Urbi et Orbi
2016



“FUNKY” series



MACEO W

WALL LAMP

H: 10 CM

D: 4 CM

≈ 0.3 KG

design by Urbi et Orbi
2016

MACEO T

TABLE LAMP

H: 50 CM

≈ 2 KG

design by Urbi et Orbi
2016



MACEO W2

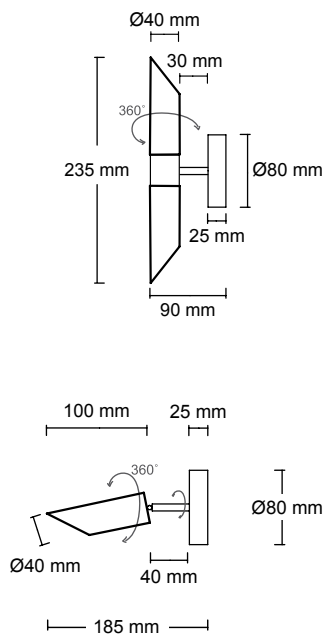
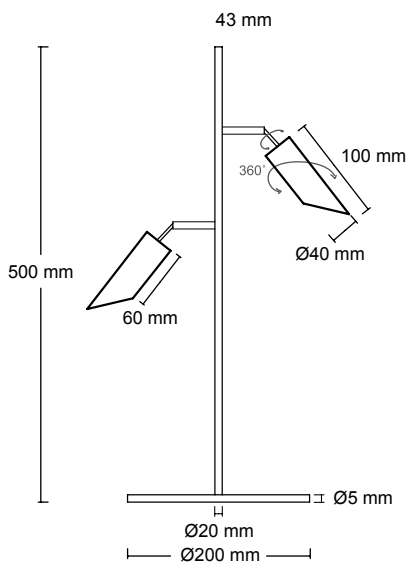
WALL LAMP

H: 23.5 CM

D: 4 CM

⚠ 0.5 KG

design by Urbi et Orbi
2016





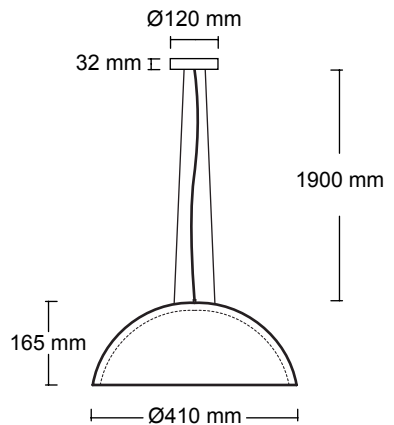
GLOBUS 410

D: 41 CM

H: 16.5 CM

⚖ 6.5 KG

design by Urbi et Orbi
2015





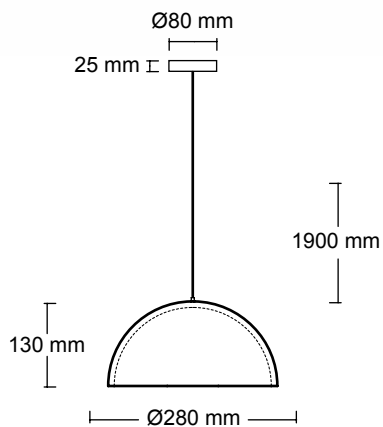
GLOBUS 280

D: 28 CM

H: 13 CM

⚖️ 2.5 KG

design by Urbi et Orbi
2012





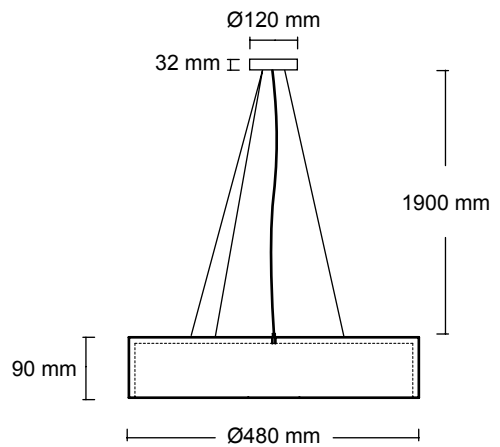
ROTA

D: 48 CM

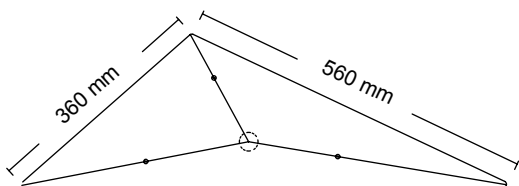
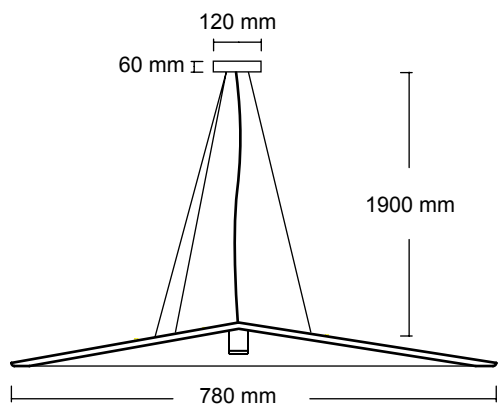
H: 9 CM

⚖ 9 KG

design by Urbi et Orbi
2013





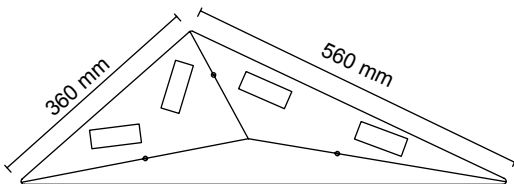
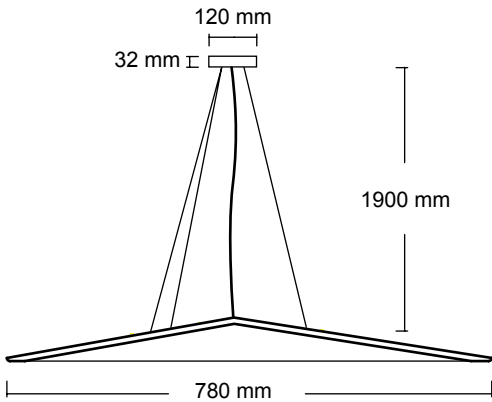


led 3.5 watt

HERON

≈ 3.5 KG

design by Urbi et Orbi
2014



led 12 watt
HERON

⚖ 3.5 KG

design by Urbi et Orbi
2014



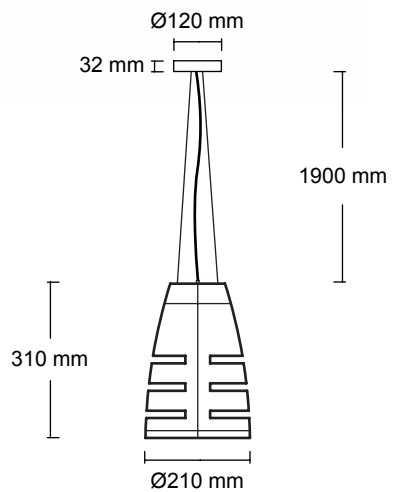
BATTAGLIA 210

D: 21 CM

H: 31 CM

⚖ 6 KG

design by Urbi et Orbi
2015





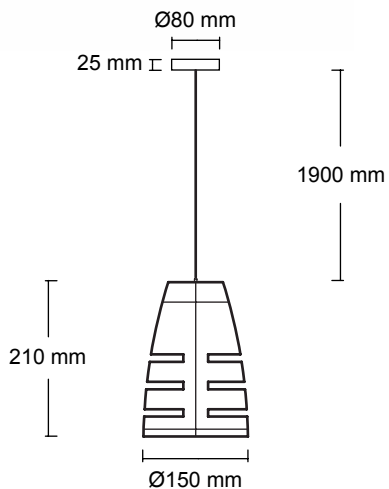
BATTAGLIA 150

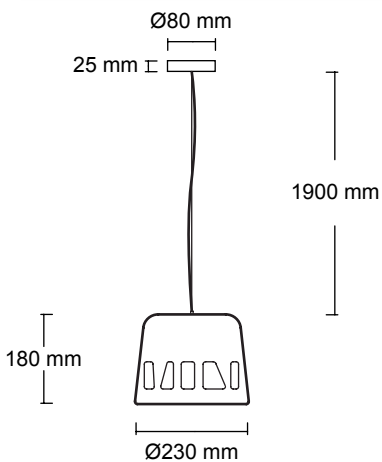
D: 15 CM

H: 21 CM

1.3 KG

design by Urbi et Orbi
2015





LUNA

D: 23 CM

H: 18 CM

⚖ 3.5 KG

design by Urbi et Orbi
2015

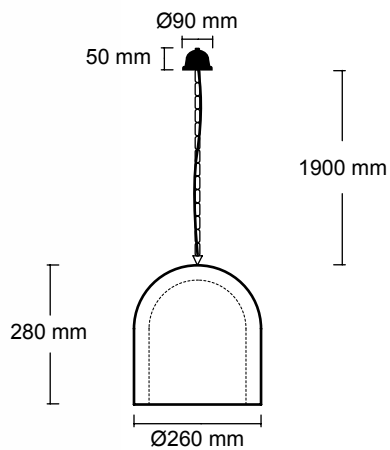
HEDERA

D: 26 CM

H: 28 CM

≈ 8.5 KG

design by Urbi et Orbi
2015





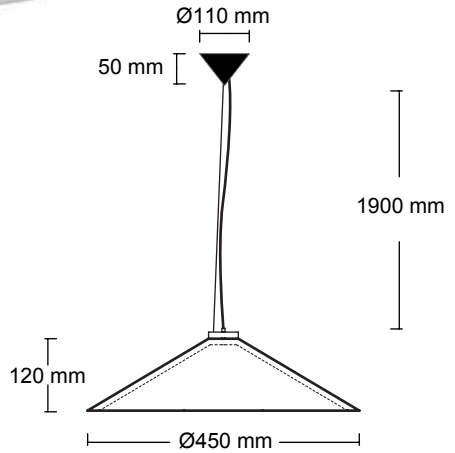
MONS 45

D: 45 CM

H: 12 CM

⚖ 6 KG

design by Urbi et Orbi
2012





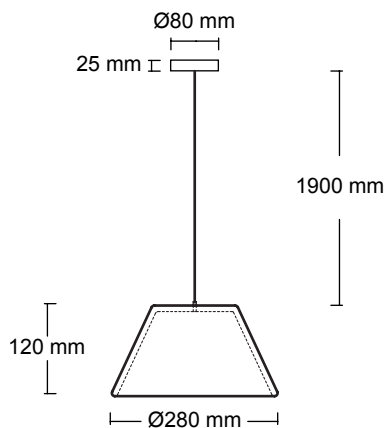
MONS 28

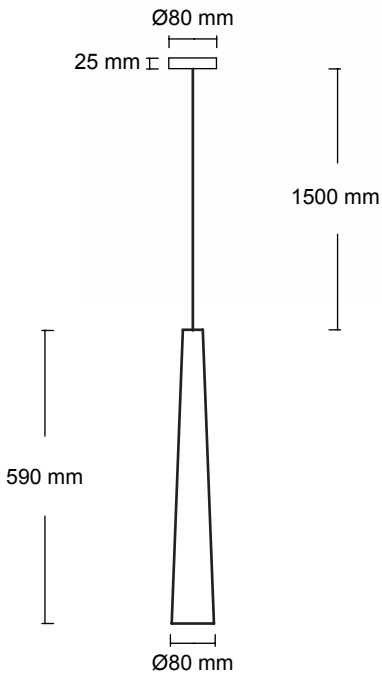
D: 28 CM

H: 12 CM

⚖ 2.5 KG

design by Urbi et Orbi
2012





IGNIS NOX

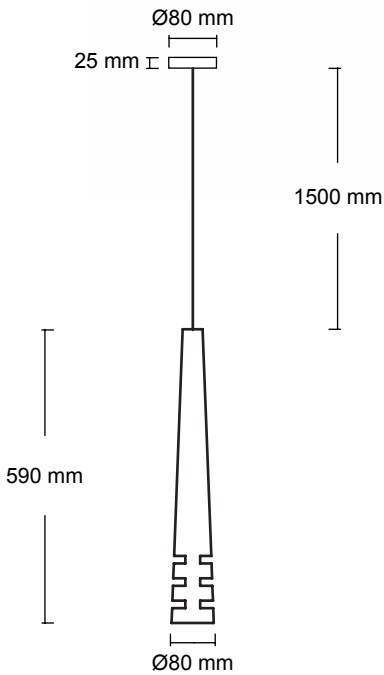
D: 8 CM

H: 59 CM

⚖️ 2.8 KG

design by Urbi et Orbi

2015



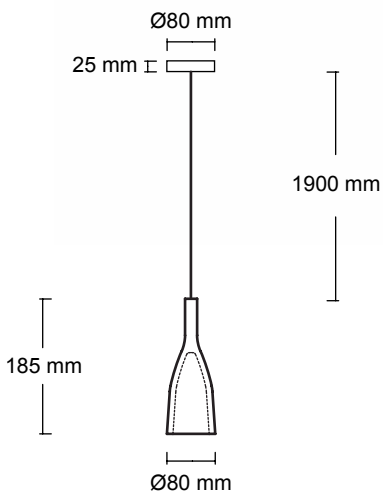
IGNIS VER

D: 8 CM

H: 59 CM

⚖️ 2.5 KG

design by Urbi et Orbi
2015



AMPULLA

D: 8 CM
H: 18.5 CM

1KG

design by Urbi et Orbi
2013

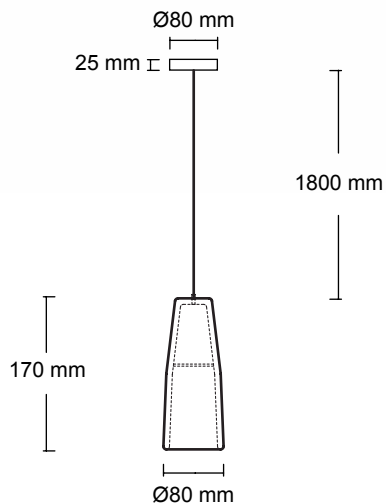


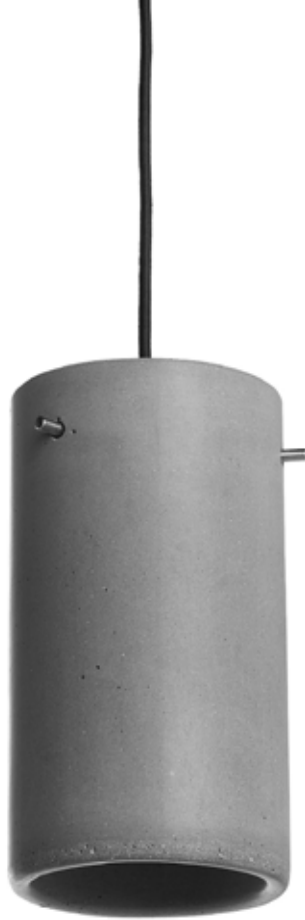
PHARI

D: 8 CM
H: 17 CM

⚖ 1.5KG

design by Urbi et Orbi
2013



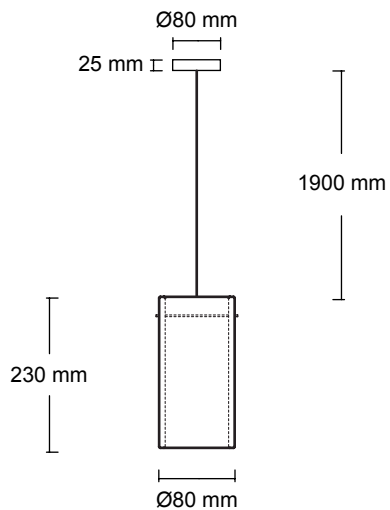


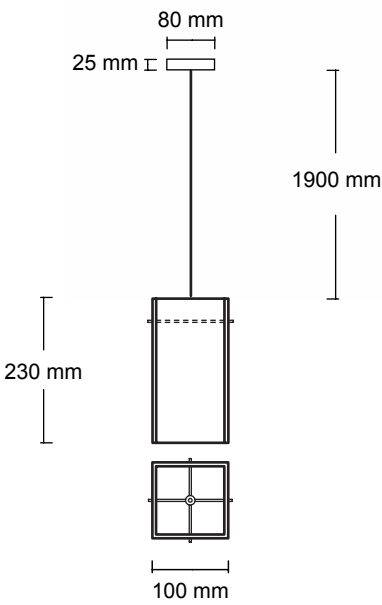
CYLINDRUS 125

D: 8 CM
H: 23 CM

⚖️ 2.5KG

design by Urbi et Orbi
2013





INEST

10x10 CM
H: 23 CM

1.5 KG

design by Urbi et Orbi
2014

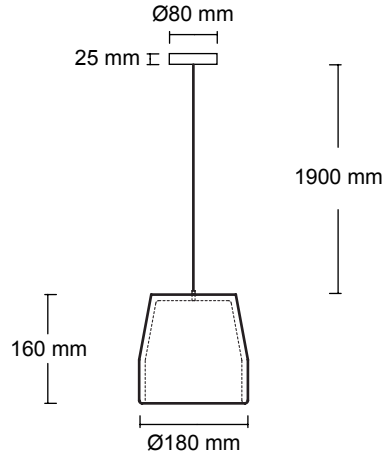
CALIX 18

D: 18 CM

H: 16 CM

⚖ 2.5KG

design by Urbi et Orbi
2012



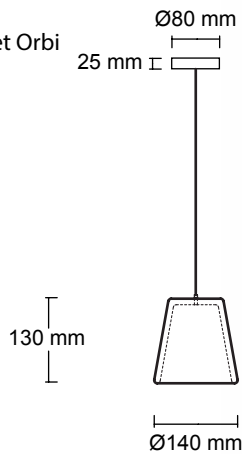
CALIX 14

D: 14 CM

H: 13 CM

⚖ 1KG

design by Urbi et Orbi
2012



DOLIO (L-M-Q)

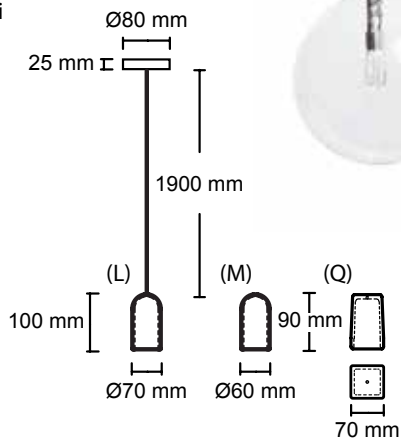
Diameter: (L) 7cm, (M) 6cm, (Q) 7x7cm

Height: (L) 10cm, (M) 9cm, (Q) 9cm

Edge thickness: (L) 1cm, (M) 0,6cm, (Q) 1cm

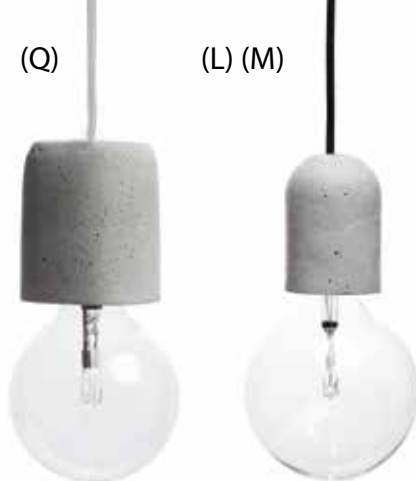
Weight: (L) 0,8kg, (M) 0,5kg, (Q) 0,8kg

design by Urbi et Orbi
2012



(Q)

(L) (M)



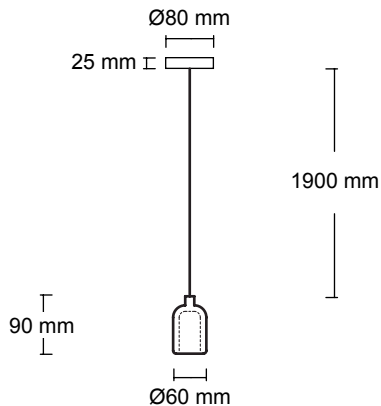
AMPULLA PIC

D: 6 CM

H: 9 CM

⚖ 0.5KG

design by Urbi et Orbi
2012





LANTERN

FLOOR LAMP

LED MODULE IP65

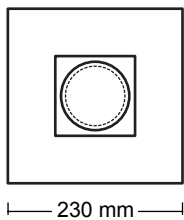
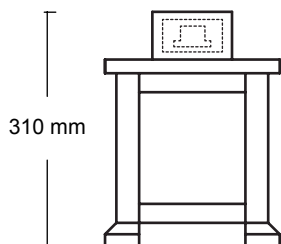
23 x 23 CM

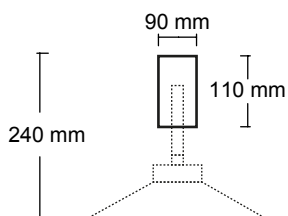
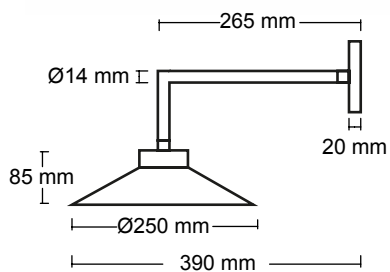
H: 31 CM

⚠ 6 KG

design by Urbi et Orbi

2014





STRADA

D: 25 CM

H: 24 CM

L: 39 CM

⚖ 1.8KG

design by Urbi et Orbi
2015



QUADRATA X

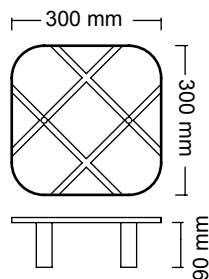
30 x 30 CM

H: 9 CM

⚖ 4.5KG

design by Valentino Marengo

2015



QUADRATA N

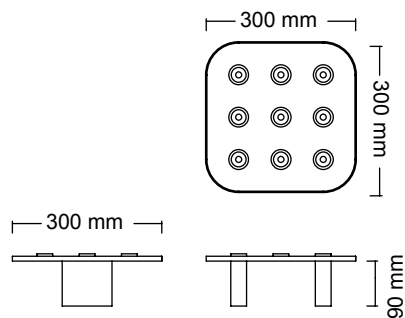
30 x 30 CM

H: 9 CM

⚖ 4.5KG

design by Valentino Marengo

2015



QUADRATA G

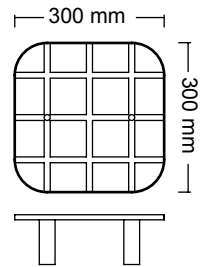
30 x 30 CM

H: 9 CM

⚖ 4.5KG

design by Valentino Marengo

2015



QUADRATA L

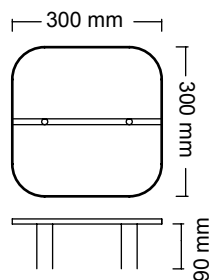
30 x 30 CM

H: 9 CM

⚖ 4.5KG

design by Valentino Marengo

2015



Urbi et Orbi

Cast concrete elements

Our people ... a team created at random...
since then though , nothing has been left to chance.

Urbi et Orbi Studio

In co-operation with:

2vlo Design team

Venetsanos Dimitris / Architect

Raptis Konstantinos / Architect

Papadopoulos Polivios / Architect

Raptis Elias / graphics

Valentino Marengo / product designer & visual artist

All rights reserved."Urbi et Orbi" brand and logos are registered trademarks. The industrial models of the product, the designation and the product photos are protected by the applicable copyright laws.

Urbi et Orbi reserves the right, in order to improve the capacities of the products, to make modifications to them, as if reference the raw materials, dimensions, weight, qualities or features, without prior notice.



Urbi et Orbi

S : www.urbietorbi.gr

E : info@urbietorbi.gr

T : 0030 210 4520178

Cast Concrete Elements